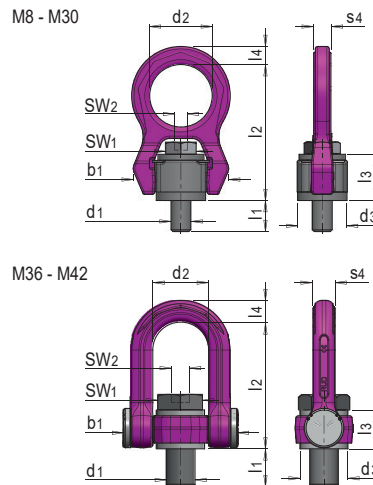
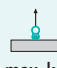

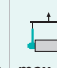
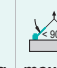


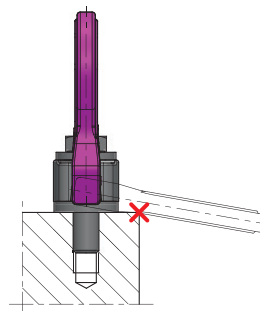


PRODUCT DESCRIPTION

- » Automatic alignment in the direction of the force thanks to unique spring mechanism
- » Highest load-carrying capacity with slim design
- » Round stirrup shape prevents catching
- » Safety factor 4:1
- » All load-bearing parts are 100% crack tested and proof load tested according to EN 1677



SW1	SW2	b1	l1	l2	l3	l4	d2	d3	s4	d1	 max. kg	 max. kg	 max. kg	 max. kg	No.	EUR
13	5	58	12	83	34.4	11	38	30	10.5	M 8	700	700	1,400	980	E 1273/ 8	<>
17	6	58	16	83	35.5	11	38	30	10.5	M10	1,000	1,000	2,000	1,400	E 1273/10	<>
19	8	58	19	83	35.5	11	38	30	10.5	M12	1,350	1,350	2,700	1,900	E 1273/12	<>
24	10	76	22	107	46	14	50	40	14	M16	2,500	2,500	5,000	3,500	E 1273/16	<>
30	12	89	26.5	118	55.5	17	50	45	17.25	M20	4,000	4,000	8,000	5,600	E 1273/20	<>
36	14	120.5	34	154	70	23	66	60	23	M24	6,300	6,300	12,600	8,800	E 1273/24	<>
46	17	148	41.5	183	87.2	29	75	75	27	M30	8,000	8,000	16,000	11,200	E 1273/30	<>
55	22	168	45	189	60	32	82	70	32	M36	15,000	12,500	25,000	17,000	E 1273/36	<>
65	24	168	53	189	60	32	82	70	32	M42	18,000	16,000	32,000	22,400	E 1273/42	<>



Do not rotate under load!

Rotate in the direction of force before loading!

Turning operations in the folding direction of the ring are possible.

The ring must not be supported by or rest against edges or other attachments.