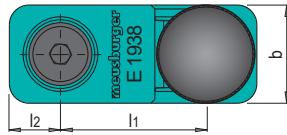
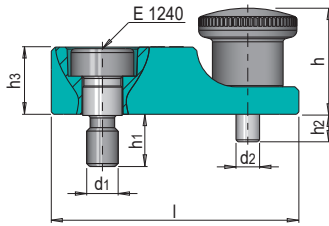


PRODUCT DESCRIPTION

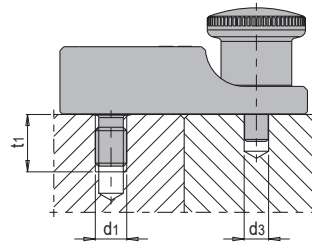
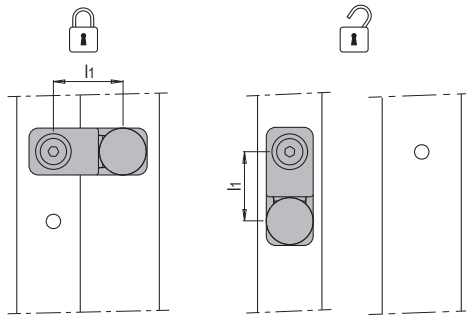
- » Reliably locks split line face, ejector sets and moving plates
- » Easy and tool-free handling
- » Non-detachable, remains permanently on the tool
- » Operating temperature up to 90 °C

MATERIAL

- » Glass fibre reinforced PA



b	h	h1	l1	d2	h2	l2	h3	d1	l	No.	EUR
20	23	11	30	4	5	10	14	M6	50	E 1938/ 6/ 50	<>
25	24	13	37	4	5	13	17	M8	63	E 1938/ 8/ 63	<>
35	28	16	48	6	6	15	21	M10	80	E 1938/10/ 80	<>



d1	l	l1	t1	d3
M6	50	30	13	4.1
M8	63	37	15	4.1
M10	80	48	18	6.1

